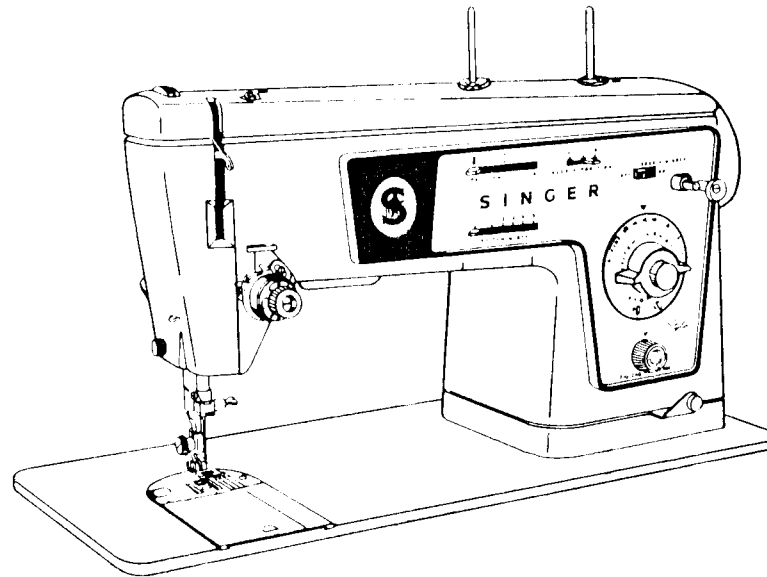


SINGER

476K

Parts Chart for **SINGER*** 476K Class Machines

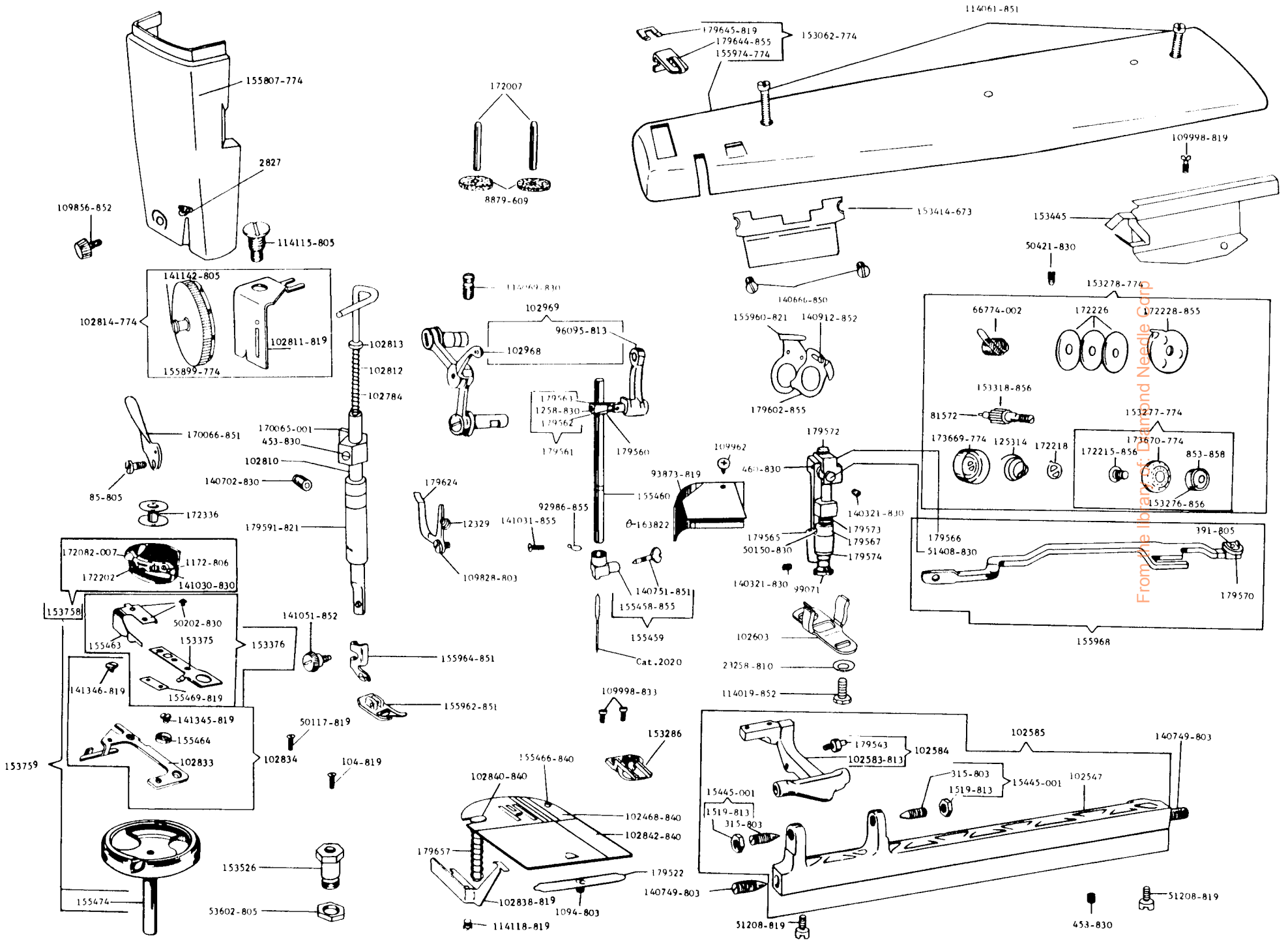
MACHINE NO. 476K



From the library of: Diamond Needle Corp

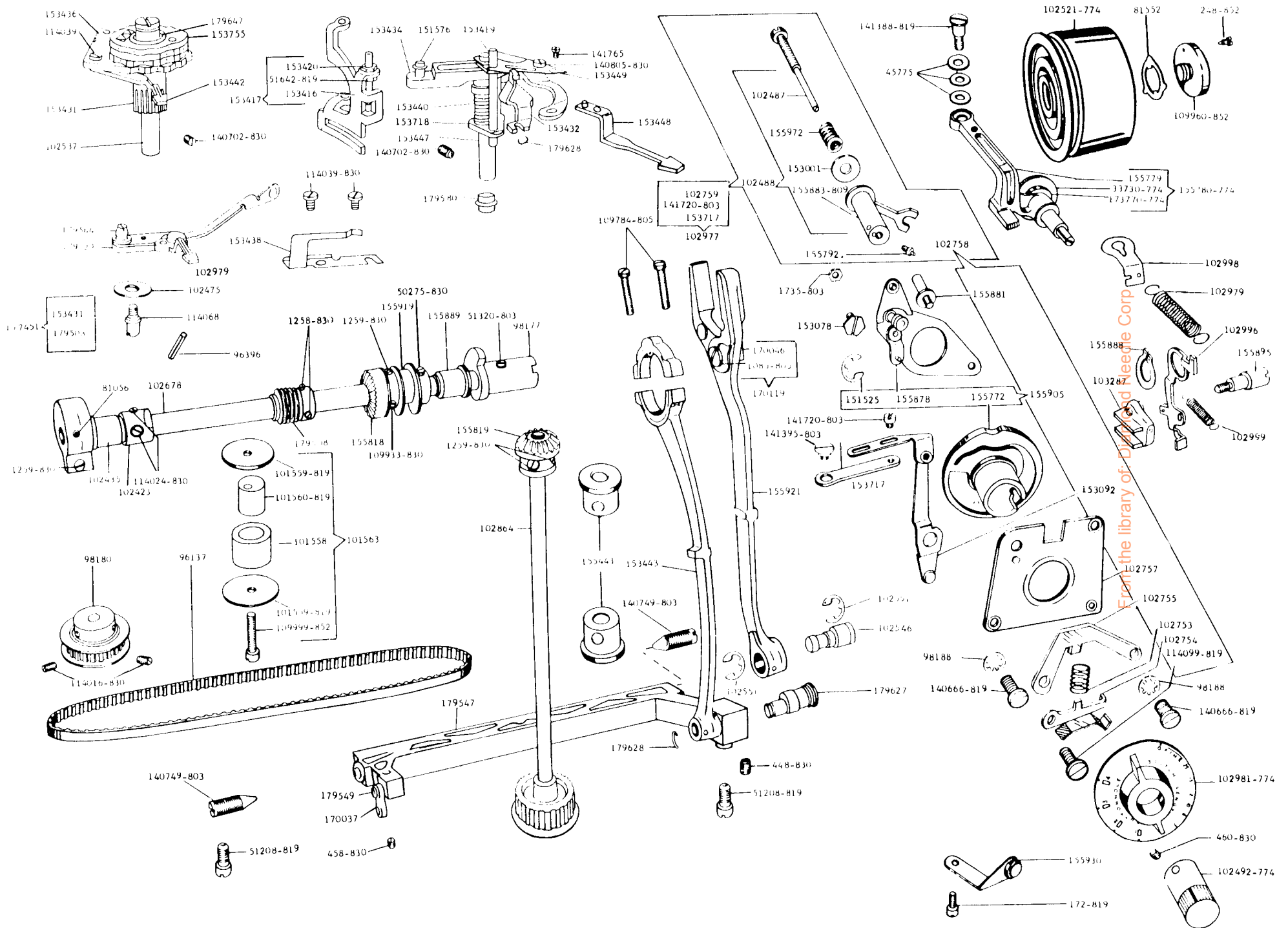
* A Trademark of THE SINGER COMPANY
© 1971 by The Singer Manufacturing Co. Ltd.
All rights reserved throughout the world.

MACHINE NO. 476K



From the Library of the Sewing Machine Club

MACHINE NO. 476K



MACHINE NO. 476K

171313

